

premium

Maintenance-free starter battery



HOPPECKE

POWER FROM INNOVATION

Product Features

- ✓ Maintenance-Free
- ✓ Ca/Ca Alloy Technology
- ✓ Outstanding Shelf Life
- ✓ Attractive Design
- ✓ Comprehensive Range of Batteries

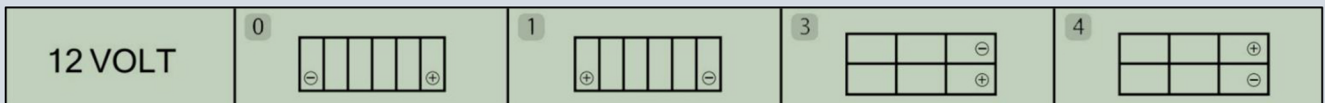


Typical Applications: Cars, Commercial Vehicles etc.

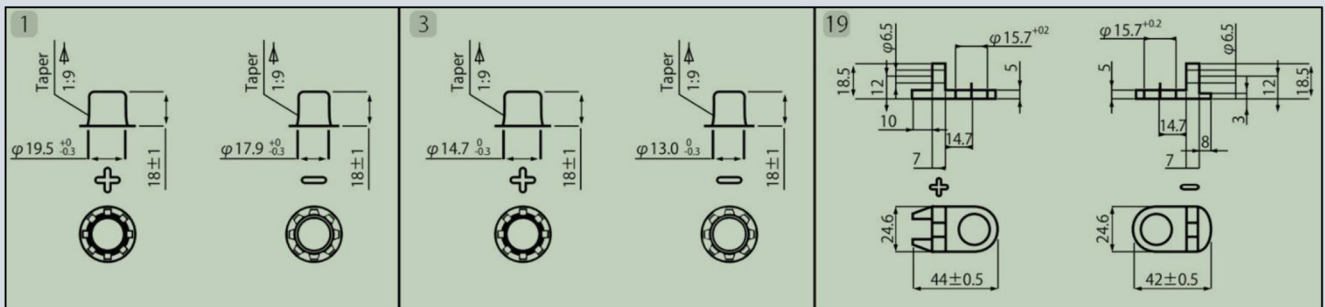
HOPPECKE BATTERY TYPES AND NOMENCLATURE

Battery Type HOPPECKE Part Number	Specifications		Dimensions in mm			Layout	Terminal	Hold Down
	AH @ C20	CCA @ -18°C Amps	L	B	TH			
HOPPECKE SEALED MAINTENANCE-FREE								
SMF 56201	62	540	242	175	190	0	3	B13
SMF 57512	75	680	278	175	190	0	3	B13
SMF 58014	80	700	315	175	190	0	3	B13
SMF 60044	100	800	353	175	190	0	3	B13
HOPPECKE START-STOP (EFB)								
EFB N55L	55	460	238	129	227	0	1	B00
EFB Q85	70	550	229	171	222	0	3	B01
EFB L3 (575065)	75	720	278	175	190	0	1	B13
HOPPECKE AGM								
AGM 60L2	60	640	242	175	190	0	3	B13
AGM 70L3	75	760	278	175	190	0	3	B13
AGM 80L4	80	800	315	175	190	0	3	B13
AGM 95L5	100	850	353	175	190	0	3	B13
AGM 105L6	110	950	394	175	190	0	3	B13

Layout



Terminals



Base Hold Down

